

Using Our T4-Switch With Three Pickup Coils

updated: October 23, 2017

Our T4-Switch can be temporarily used with three pickup coils when you anticipate installing a fourth pickup coil. Doing so will give you 23 pickup tones until the fourth pickup coil is added to produce 68 pickup tones. With three pickup coils the following switch use is required.

T4-SWITCH LEGEND (switch information on this page is for Right Hand use)

BRDG Control Switches:

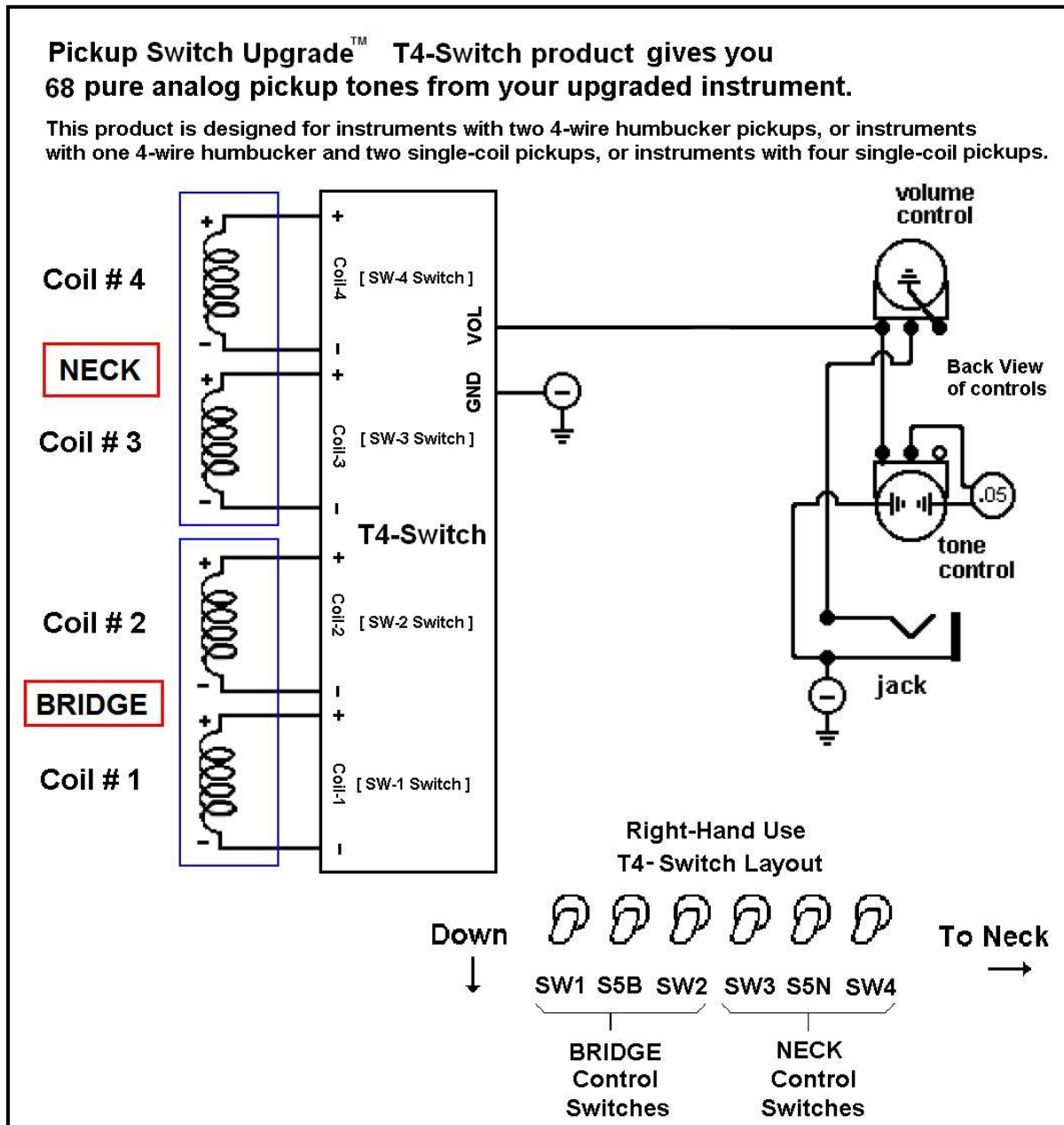
SW1 is Down = coil on, normal phase
SW1 is Up = coil on, reverse phase
SW2 is Down = coil on, normal phase
SW2 is Up = coil on, reverse phase
S5B is Up = puts both bridge coils in series
 When **S5B** is down = coils are in parallel

SW1 & **SWB** are on-off-on *Phase* switches
 (Down=coil on/reg., Up=coil on/rev. phase)
S5B is an on-on *Connection* switch

NECK Control Switches:

SW3 is Down = coil on, normal phase
SW3 is Up = coil on, reverse phase
SW4 is Down = coil on, normal phase
SW4 is Up = coil on, reverse phase
S5N is Up = puts both neck coils in series
 When **S5N** is down = coils are in parallel

SW3 & **SW4** are on-off-on *Phase* switches
 (Down=coil on/reg., Up=coil on/rev. phase)
S5N is an on-on *Connection* switch



Switching Proof Table to get 23 Pickup Tones from instruments with two 4-wire humbuckers, instruments with one 4-wire humbucker and two single-coils, or instruments with four single-coil pickup instruments with our T4 Pickup Switch Upgrade product.

(note that 2-wire humbuckers can be used where single-coil pickups are specified)

Switch legend for **S1B, S2B, S1N** and **S2N**: D = Down, U = Up, no symbol is Off (center position)

Switch legend for **S5B** and **S5N**: U = Up, no symbol is **Down**

ALL coils that are in series MUST be on to produce sound.

(also see documents #3, #4, #5, #6 and #C in our Document Library at www.AweSome-Guitars.com)

Important Notes:

1. Switch positions are for a **Right Hand** instrument installation.
2. The **S5B, S5N** switches are **Down** (in the parallel position) by default.
3. The **S1B, S2B, S1N** and **S2N** switches control pickup connections. Down position is normal phase, Up position is reverse phase. Center position is Off.

Use this worksheet to write down what each pickup tone sounds like to you personally.

SWITCH COMBINATIONS USED BY T4-SWITCH

##	NECK Control			BRDG Control			##	Your description of the pickup sound
	SW4	S5N	SW3	SW2	S5B	SW1		
1.						D	1.	_____
2.				D			2.	_____
3.				D		D	3.	_____
4.				U		D	4.	_____
5.				D	U	D	5.	_____
6.				U	U	D	6.	_____
7.			D				7.	_____
8.			D			D	8.	_____
9.			D			U	9.	_____
10.			D	D			10.	_____
11.			D	U			11.	_____
12.			D	D		D	12.	_____
13.			D	D		U	13.	_____
14.			D	U		D	14.	_____
15.			D	D	U	D	15.	_____
16.			D	D	U	U	16.	_____
17.			D	U	U	D	17.	_____
18.			U	D		D	18.	_____
19.			U	D		U	19.	_____
20.			U	U		D	20.	_____
21.			U	D	U	D	21.	_____
22.			U	D	U	U	22.	_____
23.			U	U	U	D	23.	_____